

Form

Bar stool with sled base

Design — Jukka Setälä



The clear design language of the high Form bar stool means the chair is ideal for many environments. Available in two different heights and un-upholstered or upholstered. The bar stool is stackable.



MATERIAL DESCRIPTION:

Seat material: laminate (white or black)

Upholstery alternatives: without upholstery, fully upholstered

Base: white, black, chrome or Inspiring Colours
Felt glides

PRODUCT CODE NUMBER:

2805DEM = medium high sled base, without upholstery

2805DEDM = medium high sled base, fully upholstered

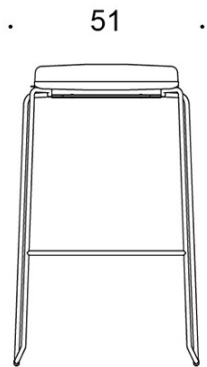
2805DE = high sled base, without upholstery

2805DED = high sled base, fully upholstered

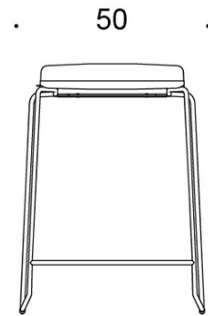
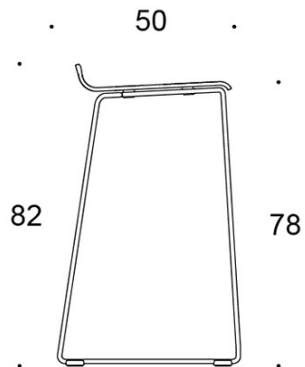
FABRIC CONSUMPTION:

0,55 m / 2 pcs

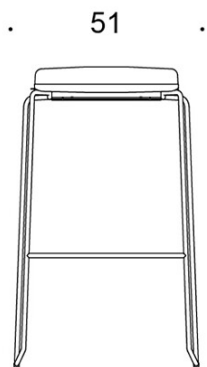
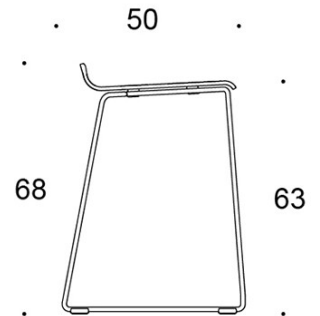
Dimensional drawing:



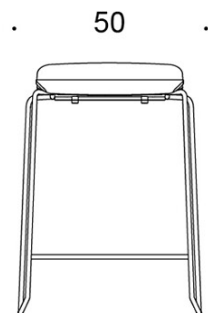
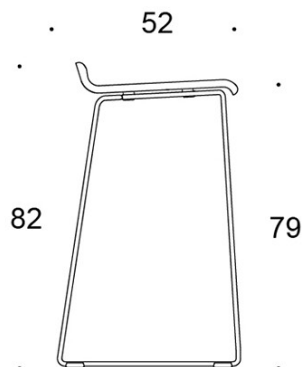
2805DE



2805DEM



2805DED



2805DEDM

