

Frankie

Conference table and bench desk with sled base and electrical height-adjustment

Design — Iiro Viljanen



The electrically height-adjustable Frankie conference table enables active and ergonomic working as well as various meetings. Varying working positions from sitting to semi-sitting or leaning to standing increase efficiency and keep you refreshed. Electric hatches are available as accessories.



MATERIAL DESCRIPTION:

Table tops: oak, ash, stained ash, white laminate

Base: white or black

PRODUCT CODE NUMBER:

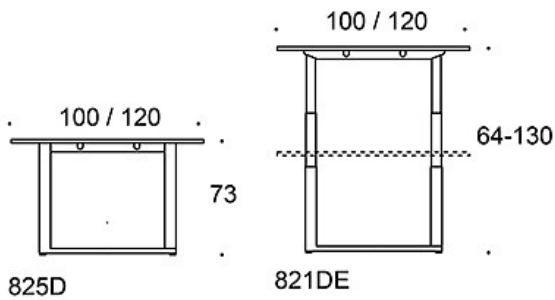
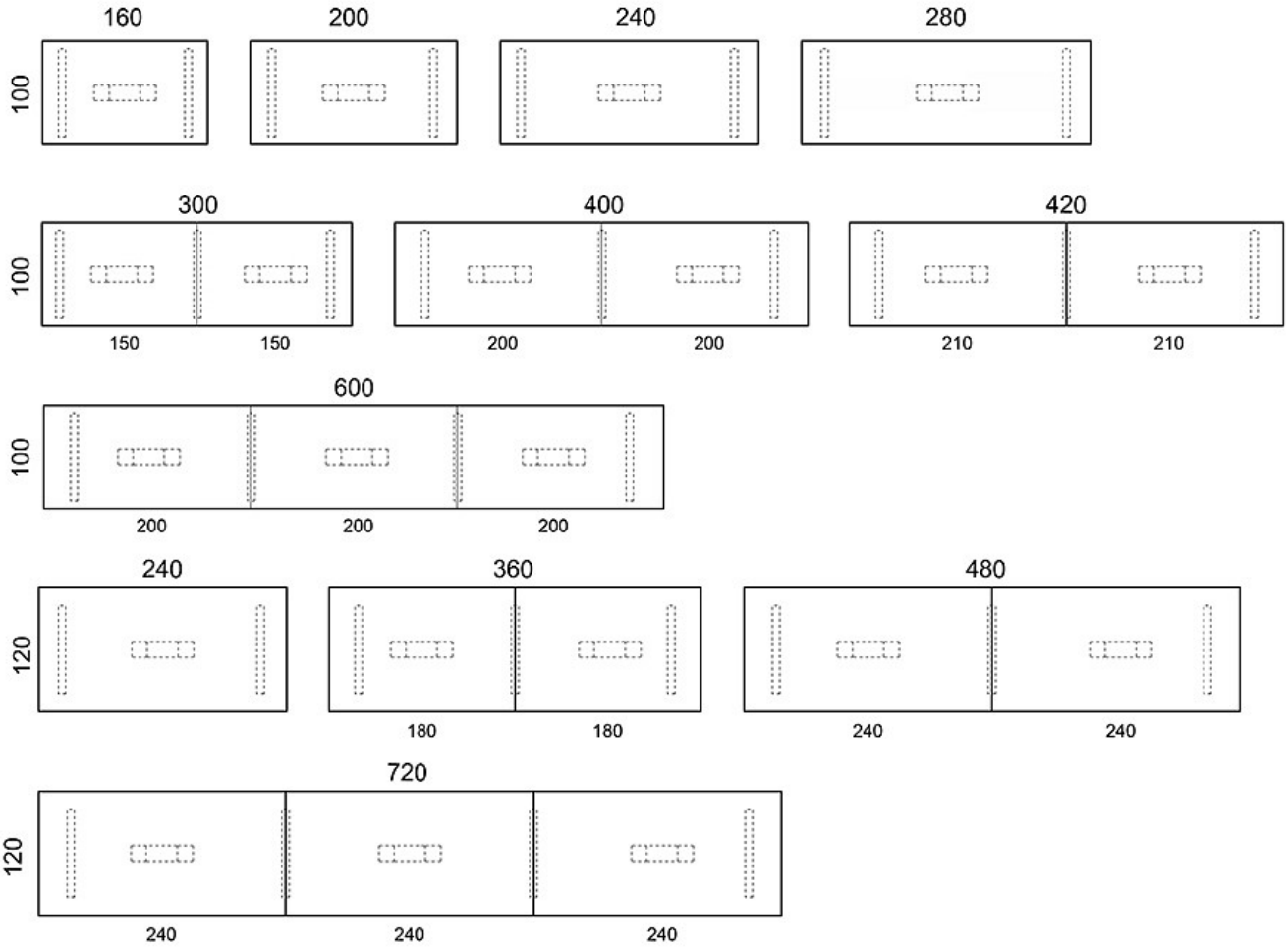
821DE(E) = electrically height-adjustable sled base, height
64 - 130 cm, metal legs

E = power outlet

ADJUSTMENTS:

Height adjustment range with electrical legs 64-130 cm.

Dimensional drawing:



Dimensional drawing 2:

