

Grip

School table

Design — Mikko Halonen



There are two different versions of the Grip school desk: two rectangular versions for one or two students. Grip tables are sturdy, light to handle and easy to stack. The tables can be connected to each other and the design of the stand allows for row connection.



MATERIAL DESCRIPTION:

Table top: white, grey, birch, oak or colour laminates, matt laminates, linoleums
Conforming with E0,5 requirements

Base: grey, white, black or Inspiring Colours

PRODUCT CODE NUMBER:

School table OP121:

Top 70x50 cm, total length of the table 80 cm
Includes one backpack hook

Top 120x50 cm, total length of the table 130 cm
Backpack hook on both sides of the table

STACKABILITY:

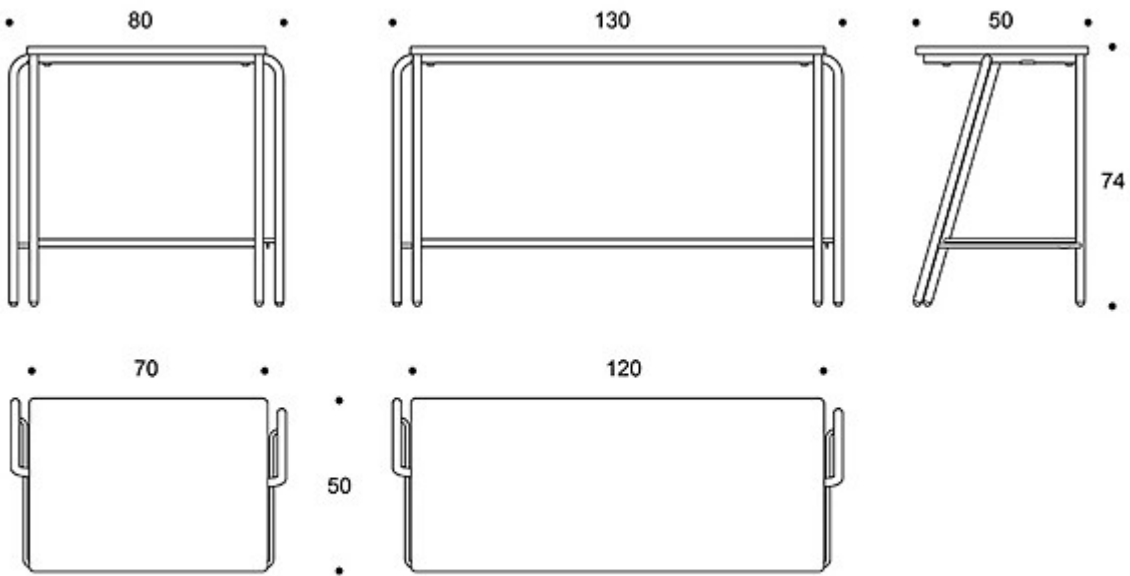
OP121: floor max 5 pcs

WEIGHT:

OP0017: 9.5 kg

OP121 (70x50): 12.4 kg

Dimensional drawing:



OP121