

Hubbe

Easy chair

Design — Timo Hoisko & Matti Korpela



The Hubbe chair with swivel disc base offers a cosy place to sit and relax. The cup-shaped seat made from compressed felt is available in a variety of colours and Hubbe is ideal as an eye-catching feature in various lobbies and break rooms. The upholstered seat cushion and the optional swivel table increase the usability and unique appearance of the Hubbe chair.



Möbelfakta

MATERIAL DESCRIPTION:

Seat: more than 60% recycled PET felt

Seat colours: dark grey, light grey or light brown

Upholstered seat cushion

Swivel disc base with automatic return mechanism:

painted black, white, greige or Inspiring Colours

Turning side table: painted black, white, greige or Inspiring Colours

Felt glides

PRODUCT CODE NUMBER:

671229

ACCESSORIES:

Swivel side table

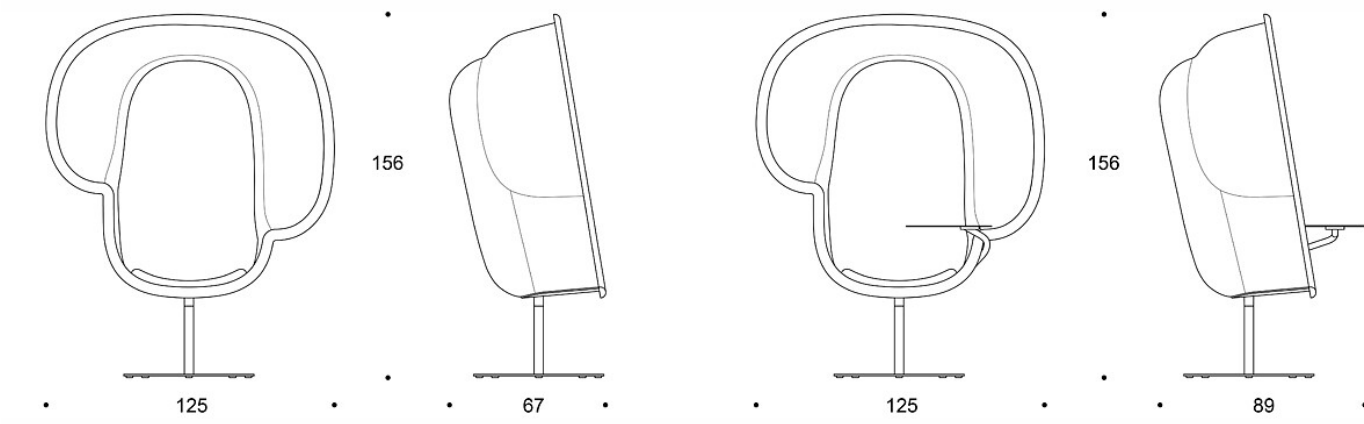
FEATURES:

Swivel disc base with automatic return mechanism

CARBON FOOTPRINT:

Hubbe: 166.07 kg CO₂e

Dimensional drawing:



Standard materials:

