

PodSeat

Easy chair with high screen

Design — o4i Design Studio



PodSeat offers a comfortable private seat for one person in the various areas of a modern activity based office. The seat can be used either individually or in groups. The swivel base allows the user to turn in the desired direction. A tabletop is available as an accessory.

MATERIAL DESCRIPTION:

Seat: upholstered

Lap top table: white, black or Inspiring Colours

Screen: fully upholstered

Swivel base

PRODUCT CODE NUMBER:

2981 (L/R/S/C) = fully upholstered lobby chair, swivel base

2981F (L/R/S/C) = fully upholstered lobby chair, fixed base

L/LF = asymmetrical screen; from front the left side of the screen is longer

R/RF = asymmetrical screen; from front the right side of the screen is longer

S/SF = symmetrical screen; long screen on both sides

C/CF = screen without openings

P = optional laptop table

ACCESSORIES:

Laptop table painted metal

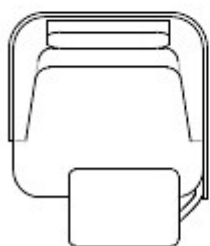
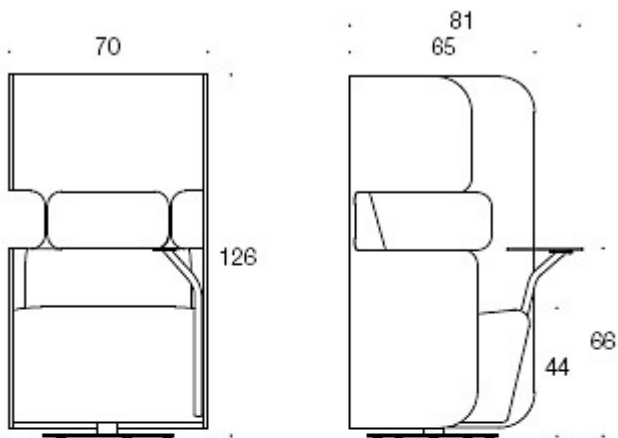
ADJUSTMENTS:

Fixed or swivel base

CARBON FOOTPRINT:

PodSeat 2981: 63.1 kg CO₂e

Dimensional drawing:



2981