

Sola

Stackable bar stool with sled base

Design — Antti Kotilainen



The stackable Sola bar stool is available in two different seat and backrest heights. The high bar stool goes well with standing height tables and is available unupholstered and with several upholstery and material options. The upholstered seat is also available with the more comfy soft upholstery.



MATERIAL DESCRIPTION:

Seat material: oak, ash or stained ash

Upholstery alternatives: without upholstery, seat upholstered, seat and backrest upholstered, fully upholstered

Base: white, black, chrome or Inspiring Colours
Felt glides

PRODUCT CODE NUMBER:

377DEM (DEMC/DEMBC/DEMD/DEMS) = medium high sled base, without upholstery, stackable, standard backrest

377DEMM (DEMMC/DEMMD/DEMMS) = medium high sled base, without upholstery, stackable, low backrest

377DEK (DEKC/DEKBC/DEKD/DEKS) = high sled base, without upholstery, stackable, standard backrest

377DEKM (DEKMC/DEKMD/DEKMS) = high sled base, without upholstery, stackable, low backrest

BC = upholstered seat and backrest

C = upholstered seat

D = fully upholstered

S = fully upholstered (soft)

FABRIC CONSUMPTION:

Seat: 0.5 m / 2 pcs

Seat and backrest: 0.85 m / 2 pcs

Fully upholstered: 0.9 m

Fully upholstered (soft): 0.95 m

STACKABILITY:

Stackability max 6 pcs

We do not recommend stacking soft upholstered chair models as marks may form in the upholstery material.

CARBON FOOTPRINT:

Sola 377DEK: 8.1 kg CO₂e

Sola 377DEKBC: 9.3 kg CO₂e

Sola 377DEKC: 9.0 kg CO₂e

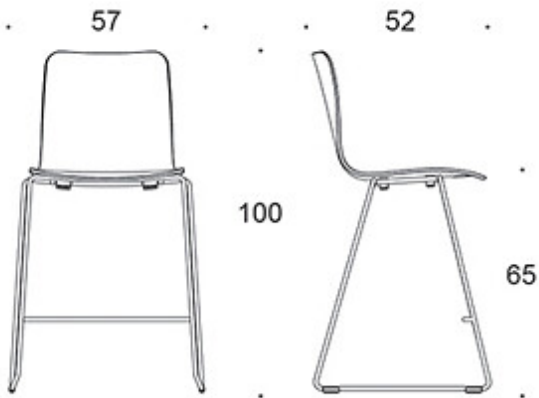
Sola 377DEKD: 11.4 kg CO₂e

Sola 377DEKM: 8.0 kg CO₂e

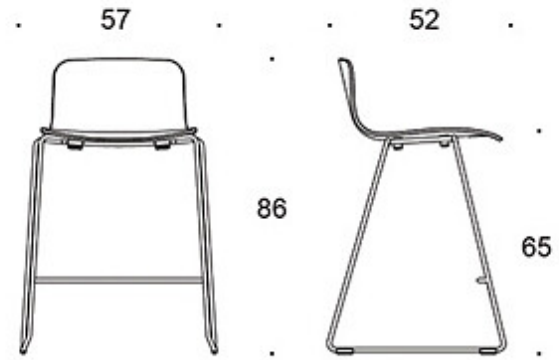
Sola 377DEKMC: 8.5 kg CO₂e

Sola 377DEKMD: 11.0 kg CO₂e

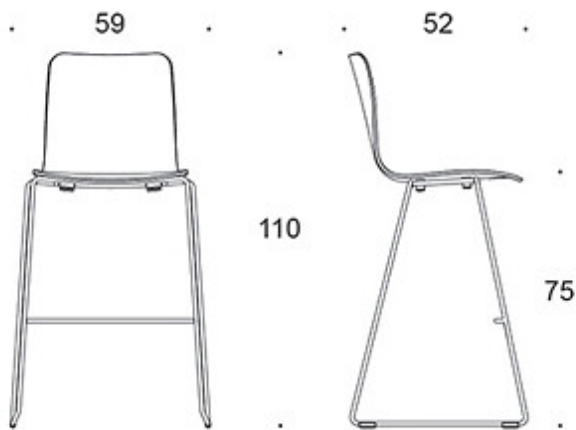
Dimensional drawing:



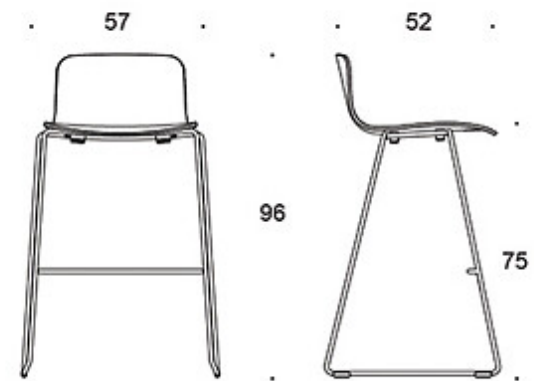
377DEM (DEMC/DEMBC/DEMD)



377DEMM (DEMMEC/DEMMD)



377DEK (DEKC/DEKBC/DEKD)



377DEKM (DEKMC/DEKMD)