

Decorative cushions



Decorative cushions make it easy to create a cosy atmosphere in any space, and they also make sofas and armchairs look more inviting. Cushions, with or without button, are available in three different sizes.

PRODUCT CODE NUMBER:

330PM = decorative cushion 40x40 cm

330PL = decorative cushion 48x48

330PS = decorative cushion 65x40 cm

331PM = decorative cushion with button, 40x40 cm

331PL = decorative cushion with button, 48x48 cm

331PS = decorative cushion with button, 65x40 cm

FABRIC CONSUMPTION:

330PM: 0.5 m

330PL: 0.6 m

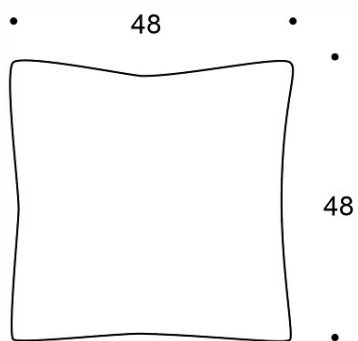
330PS: 0.7 m

331PM: 0.5 m

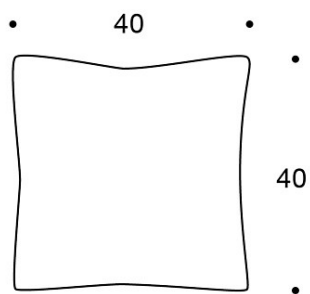
331PL: 0.6 m

331PS: 0.7 m

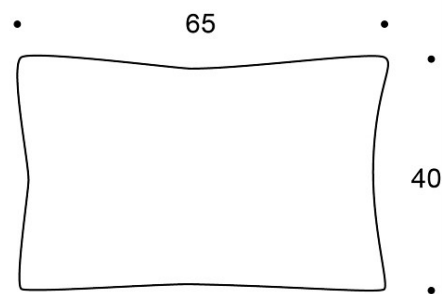
Dimensional drawing:



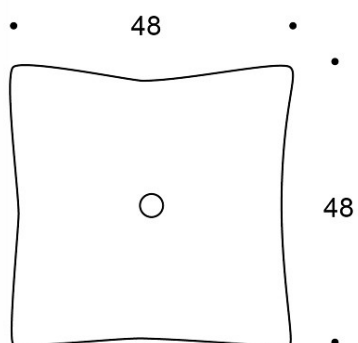
330PL



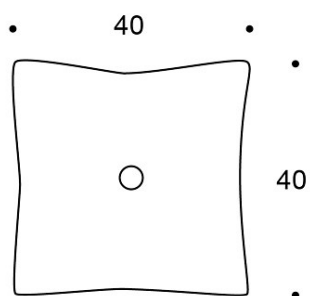
330PM



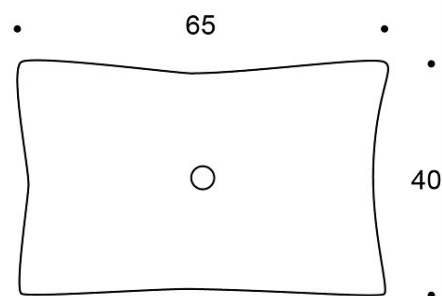
330PS



331PL



331PM



331PS