

Grip NxT

Chair with four leg base

Design — Mikko Halonen



Grip NxT is a light and sturdy universal chair for schools. The chair is stackable and a transport and storage trolley is available. The chair without upholstery can be hung from its back on a tabletop without a separate hanger. The chair has two backrest heights.



MATERIAL DESCRIPTION:

Base: painted grey, white, black or Inspiring Colours
Felt or plastic glides, row connection available
Form-pressed seat and high backrest in laminate:
oak or birch pattern, white, grey, green, red and turquoise
Form-pressed low backrest in laminate: white and grey
Upholstered seat cushion also available

PRODUCT CODE NUMBER:

NxT0011(C) = high backrest with lifting hole
NxT0011M(C) = low backrest
C = upholstered seat

ACCESSORIES:

Felt glides
Row connection
Transport trolley

FABRIC CONSUMPTION:

0.5 m / 2 pcs

STACKABILITY:

NxT0011: In chair trolley max 18 pcs
NxT0011C: In chair trolley max 16 pcs
NxT0011M: In chair trolley max 18 pcs
NxT0011MC: In chair trolley max 16 pcs

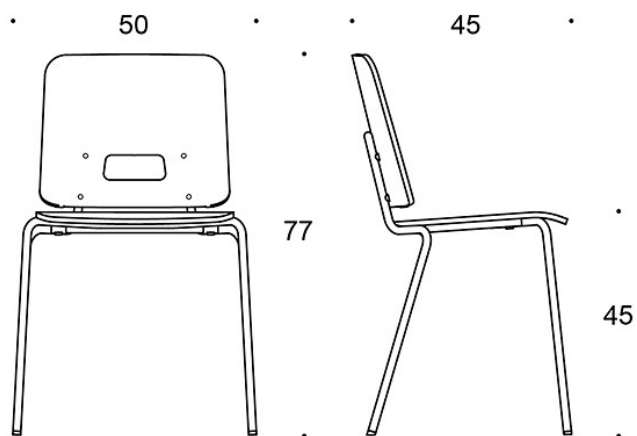
WEIGHT:

NxT0011: 4.5 kg
NxT0011C: 4.8 kg
NxT0011M: 4.2 kg
NxT0011MC: 4.5 kg

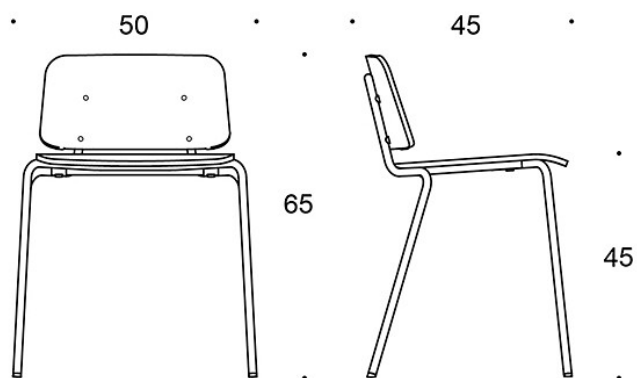
FEATURES:

- chair can be hung without a separate fitting
- cannot be hung on Trivia OP1311 and OP1321 school tables
- stackable

Dimensional drawing:

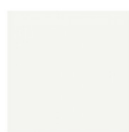


NXT0011



NXT0011M

Standard materials:



L11



L31



L32



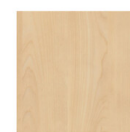
L36



L43



TL1



KL