

Grip NxT

Chair with sled base

Design — Mikko Halonen



The Grip NxT with sled base is a stackable universal chair for schools. The chair without upholstery can be hung from its back on a tabletop without a separate hanger. Available with two backrest heights. Even young pupils will be able to lift their tray over the backrest to the dining table.



MATERIAL DESCRIPTION:

Base: painted grey, white, black or Inspiring Colours

Felt glides and row connection a standard feature

Form-pressed seat and high backrest in laminate:

oak or birch pattern, white, grey, Apricot Nude, Sand Yellow or Sage Green

Form-pressed low backrest in laminate: white or grey

Upholstered seat cushion also available

PRODUCT CODE NUMBER:

NxT0017(C) = high backrest with lifting hole

NxT0017M(C) = low backrest

C = upholstered seat

ACCESSORIES:

Transport trolley

FABRIC CONSUMPTION:

0.5 m / 2 pcs

STACKABILITY:

NxT0017: In chair trolley max 16 pcs

NxT0017C: In chair trolley max 14 pcs

NxT0017M: In chair trolley max 20 pcs

WEIGHT:

NxT0017: 5 kg

NxT0017C: 5.4 kg

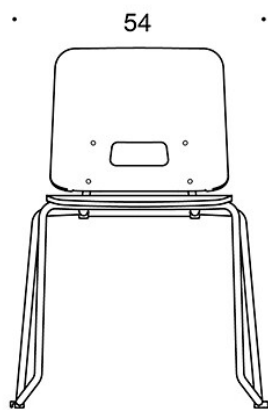
NxT0017M: 4.7 kg

NxT0017MC: 5.1 kg

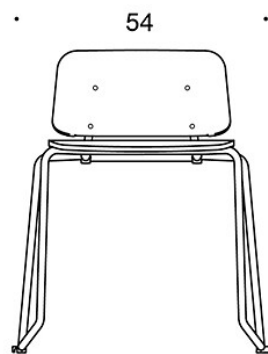
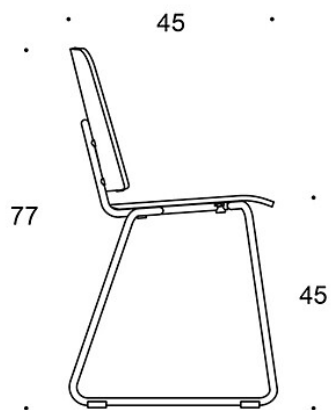
FEATURES:

- chair can be hung without a separate fitting
- cannot be hung on Trivia OP1311 and OP1321 school tables
- stackable

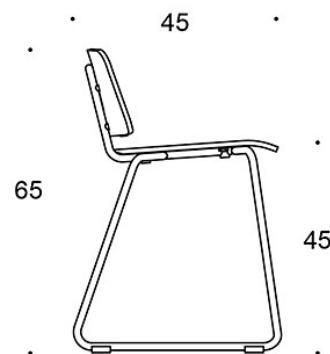
Dimensional drawing:



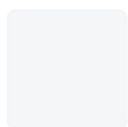
NXT0017



NXT0017M



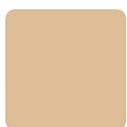
Standard materials:



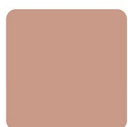
L11



L43



HPL233



HPL124



HPL213



KL



TL1