

# Kari 1

## Wooden universal chair with armrests

Design — Kari Asikainen



---

Kari 1 is a classic form-pressed, stackable wooden universal chair with simple design. Thanks to its versatile range of options, such as several seat heights, and detachable seat upholstery, Kari 1 is especially suitable for care facilities.



## Kari 1

Kari Asikainen

Martela

---

### MATERIAL DESCRIPTION:

**Wooden parts:** birch or stained birch

**Options:** without upholstery or upholstered

---

### PRODUCT CODE NUMBER:

K1

---

### ACCESSORIES:

Removable seat upholstery, higher base (0-7 cm), felt glides, row connection, storage and transport trolley, moisture proof extra lining under the fabric.

---

### FABRIC CONSUMPTION:

Seat 2 pcs / 0.7 m

Back 2 pcs/ 0.35 m

---

### STACKABILITY:

Trolley max 12 pcs

Floor max 3 pcs

---

### WEIGHT:

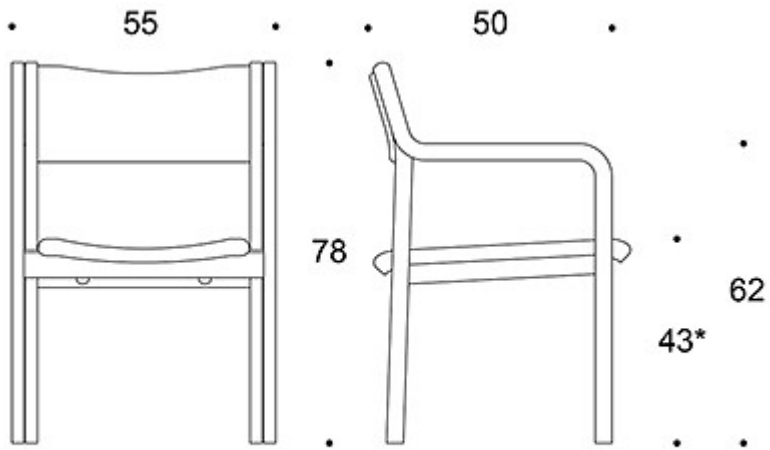
6.0 kg

## Kari 1

Kari Asikainen

# Martela

Dimensional drawing:



\* liukunastat & verhoilu lisäävät korkeutta n.10mm  
with glides and upholstery, the height is ~10mm higher