

# Logic 220

## Task chair



---

The Logic 220 is an ergonomic task chair with versatile adjustment features. The chair has a high back and an air-pump-adjustable lumbar support. Individual and ergonomic adjustments ensure seating comfort, that increases wellbeing. The Logic office chair is designed for active and longer periods of sitting.

---

### MATERIAL DESCRIPTION:

**Seat and front side of the backrest:** upholstered

**Back side of the backrest:**

black plastic or fully upholstered

**Armrests:** black aluminium, top TPU, adjustment lever grey

**5-star base (ø 680 mm):**

painted black or polished aluminium

**Coat hanger:** black plastic

**Neckrest:** upholstered

**Neckrest:** black aluminium/plastic, upholstered cushion

---

### ACCESSORIES:

Adjustable neckrest

Larger XL seat (leveys 490 mm, syvyys 505 mm)

Coat hanger

Normal, medium high or telescope gas spring

Foot ring (available with telescope gas spring)

Fully upholstered backrest

Soft or hard castors

---

### FABRIC CONSUMPTION:

0.9 m / pcs

1.15 m / kpl with fully upholstered back

---

### ADJUSTMENTS:

Seat height, tilt and depth adjustment

Backrest height and tilt adjustment (stepless)

Tilt mechanism (stepless locking), tension control

Tilt function's safety release feature

Armrest height, angle, depth and width adjustment

Inflatable lumbar pump

Neckrest adjustable in height and depth

---

### ADJUSTMENT RANGE:

Normal gas spring 39.4-52.6 cm,

Medium gas spring 49.5-62.5 cm,

Telescope gas spring 51-70 cm

---

### WEIGHT:

28,5 kg

---

### FEATURES:

User friendly and versatile adjustment options for good individual sitting ergonomoy

Clear functions through pictograms

Inflatable lumbar support as a standard

Uniform upholstery as a standard, fewer seams for a cleaner visual look

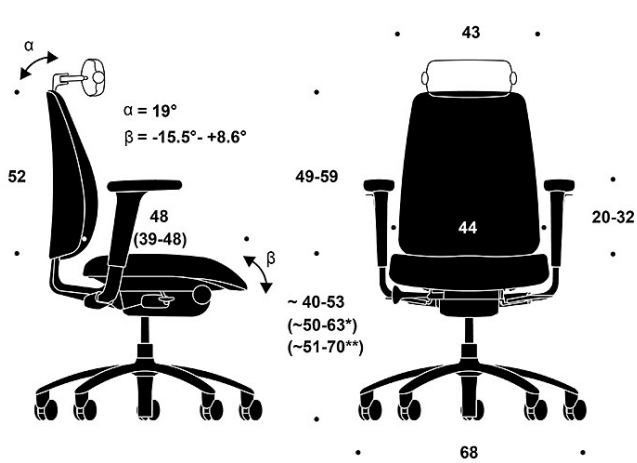
Comfort layer as a standard

Tvedt cushion

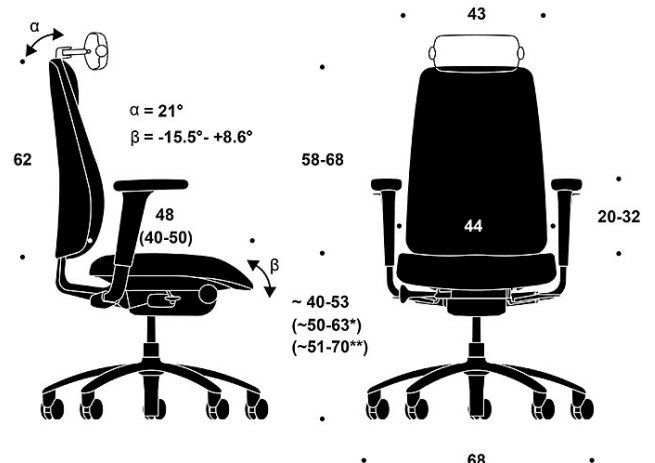
8L armrests

65 mm castors

Dimensional drawing:



Logic 200



Logic 220

\* keskikorkealla kaasujousella / med medelhög gasfjäder / with medium high gas spring  
 \*\* teleskoopikaasujousella / med teleskop gasfjäder / with telescope gas spring