

# PentaGo

## Student and teamwork table

Design — Iiro Viljanen



---

PentaGo school desk is suitable for group, pair and individual work. The easy-to-move table serves the needs of adaptable learning environments. The corners of the PentaGo lid are rounded for safety. There are backpack hooks on the table.



---

**MATERIAL DESCRIPTION:**

**Table top:** white, birch pattern, grey laminate  
Conforming with E0,5 requirements

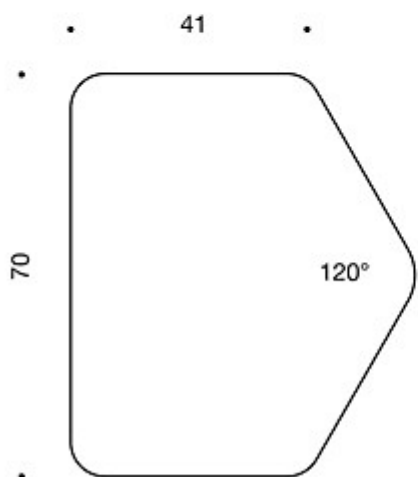
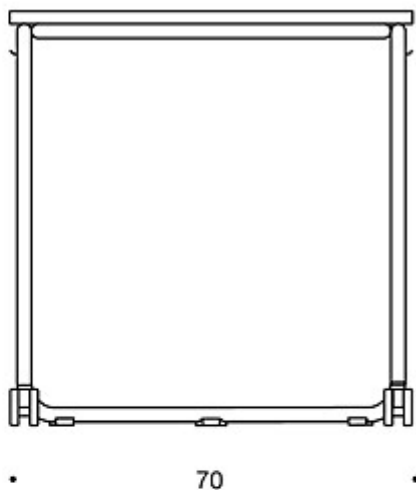
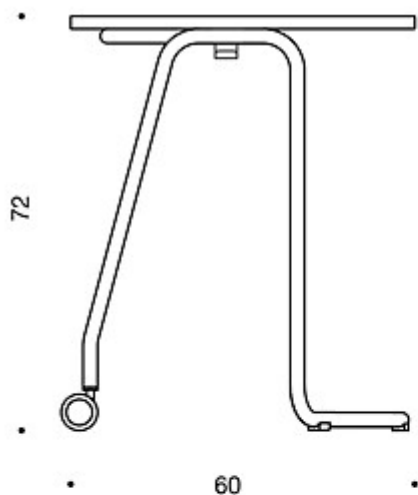
**Base:** epoxy lacquered steel in white, grey or black with  
either lockable castors or glides with felt

---

**ADJUSTMENTS:**

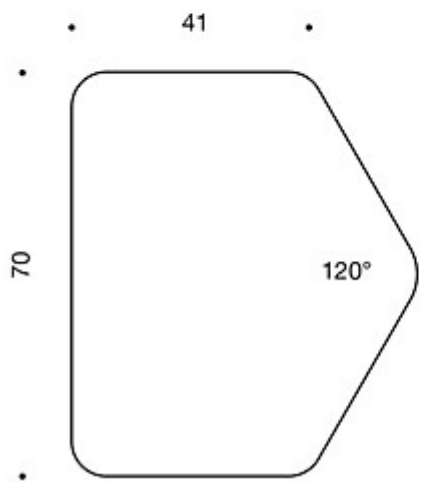
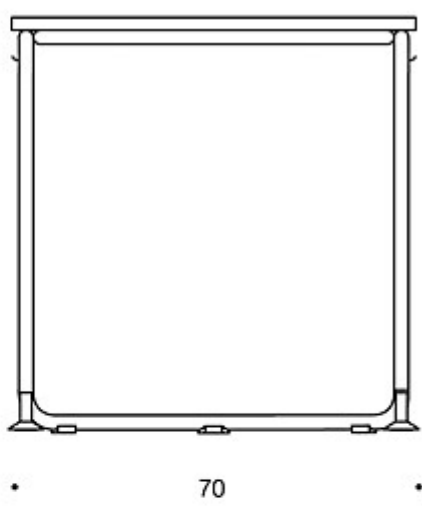
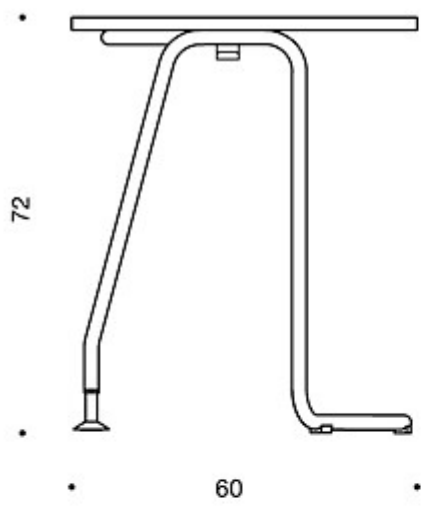
Lockable castors or glides.

Dimensional drawing:



401536

Dimensional drawing 2:



429697