

Plus+

Easy chair

Design — Jukka Setälä



The Plus+ armchair has two options for backrest height and wooden or enclosed armrests. Removable upholstery and moisture protection make the chair easier to maintain. The details of the Plus+ furniture take into account the requirements of old age and disability.



MATERIAL DESCRIPTION:

Wooden parts: birch or oak

It is recommended to use water-washable fabric for the removable upholstery.

PRODUCT CODE NUMBER:

C2712

C2714

C2722

C2724

FABRIC CONSUMPTION:

C2712: 1.7 m / pcs

C2714: 3.0 m / pcs

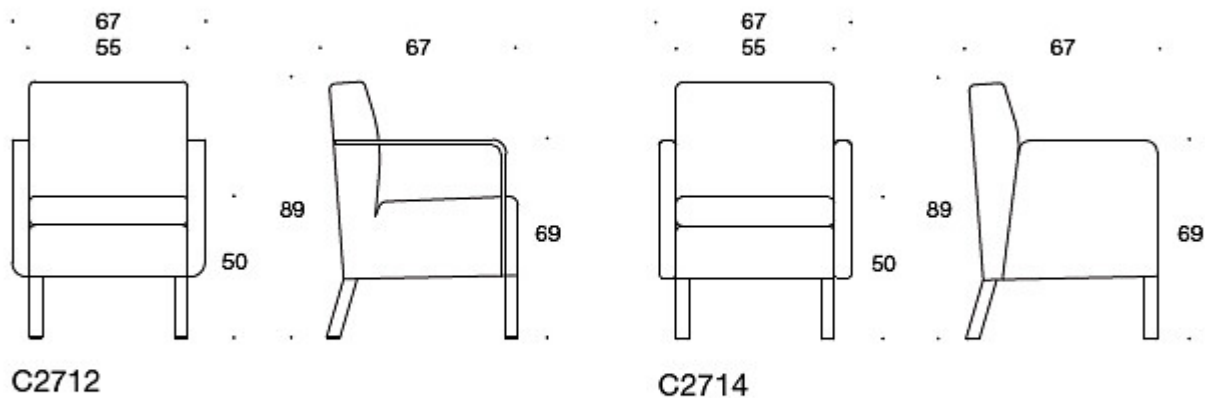
C2722: 2.5 m / pcs

C2724: 3.6 m / pcs

WEIGHT:

12.5 kg (2712), 17.5 kg (2714), 14.5 kg (2722), 19.5 kg (2724)

Dimensional drawing:



Dimensional drawing 2:

