

Plus+

Sofa

Design — Jukka Setälä



The details of the Plus+ sofa take into account the requirements of old age and disability. It is available as either a two- or three-seater with wooden or enclosed armrests. Removable upholstery and moisture protection make the sofa easier to maintain. The sofa has a slightly higher seating height.



MATERIAL DESCRIPTION:

Wooden parts: birch or oak

It is recommended to use water-washable fabric for the removable upholstery.

PRODUCT CODE NUMBER:

C2752

C2754

C2762

C2764

FABRIC CONSUMPTION:

C2752: 3.1 m / pcs

C2754: 4.5 m / pcs

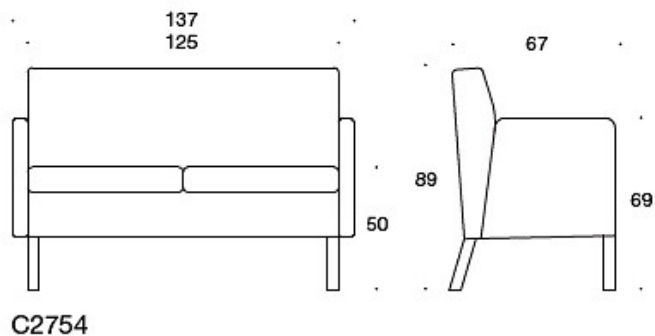
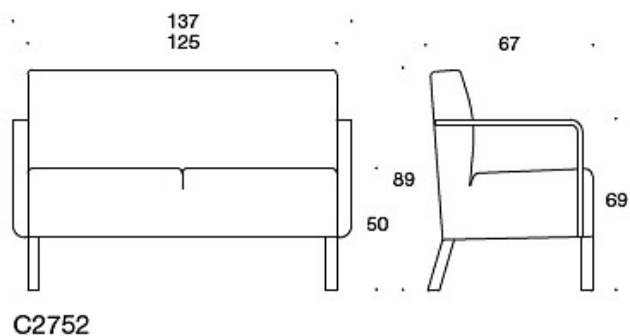
C2762: 3.8 m / pcs

C2764: 5.2 m / pcs

WEIGHT:

19 kg (2752), 24 kg (2754), 28 kg (2762), 33 kg (2764)

Dimensional drawing:



Dimensional drawing 2:

