

# PodSofa

## Sofa with high back and sides

Design — o4i Design Studio



---

PodSofa offers a comfortable and private space for two people in the various areas of modern offices. The sofa can be used either individually or in groups, creating small, more private spaces for meetings, for example. Swivel tabletops available as an accessory.

---

**MATERIAL DESCRIPTION:**

**Seat:** upholstered

**Base:** black

**Lap top table:** white, black or Inspiring Colours

**Screen:** fully upholstered

---

**PRODUCT CODE NUMBER:**

**2982 (L/R/S/C)** = fully upholstered sofa

**L** = asymmetrical screen; from front the left side of the screen is longer

**R** = asymmetrical screen; from front the right side of the screen is longer

**S** = symmetrical screen; long screen on both sides

**C** = screen without openings

**P** = optional laptop table

---

**ACCESSORIES:**

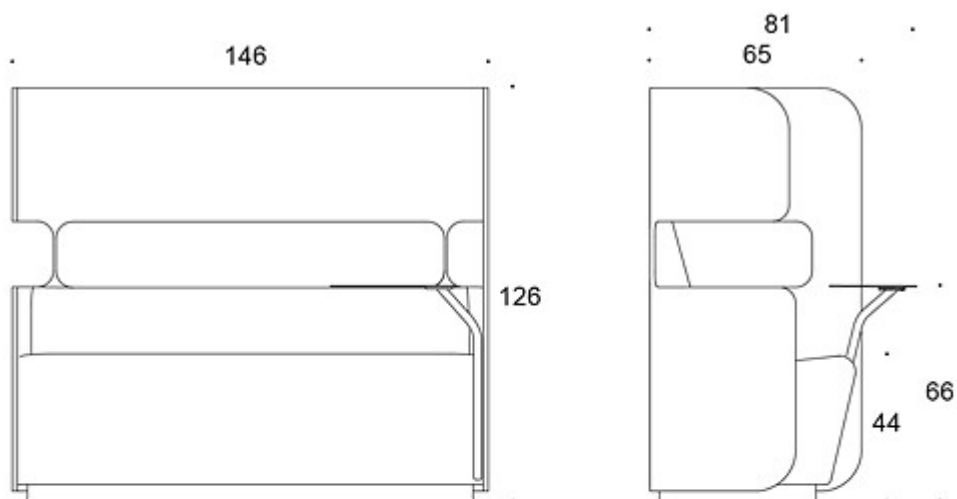
Laptop table painted metal

---

**CARBON FOOTPRINT:**

PodSofa **2982:** 77.7 kg CO<sub>2</sub>e

Dimensional drawing:



2982